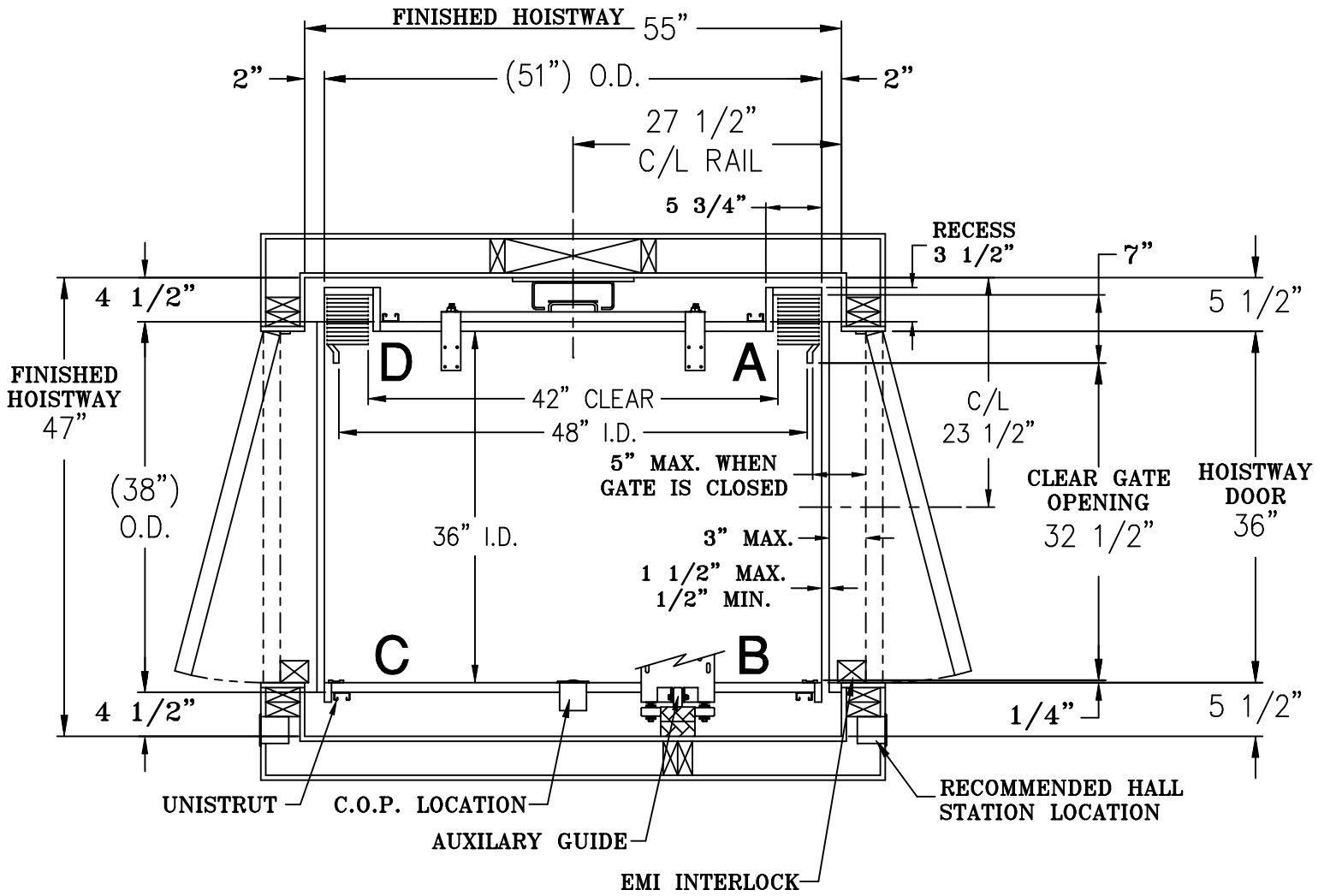


DIMENSIONS ARE IDENTICAL PER SIDE UNLESS NOTED.



**Waupaca**  
ELEVATOR COMPANY™

1726 North Ballard Road  
Appleton, WI 54911  
Phone: 800-238-8739

ELEVATOR CONTRACTOR:  
JOB NAME: ORDER NUMBER:

**CUSTOM-LIFT SERIES**  
**500 LB. WINDING DRUM ELEVATOR**  
**ABR DCR OPENING W/ ACCORDION GATE**

DRAWN BY: DATE: SIGNATURE OF APPROVAL DWG. NO. C-002413

- 1) HOISTWAY BY OTHERS PER CODE. WALLS TO BE PLUMB AND SQUARE. ALL HOISTWAY DOORS BY OTHERS PER CODE.
- 2) FINISHED HOISTWAY = ROUGH FRAMING + DRYWALL + PLASTER + PAINT.